



# RECHARGEABLE LITHIUM-ION BATTERY CELL GENERAL SPECIFICATIONS

## CHANGDE YIKLIK ENERGY LIMITED

Tel: (86) 736-433 8338

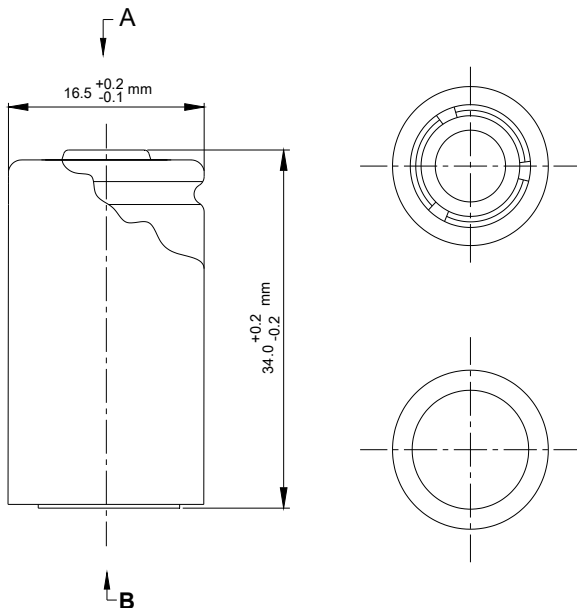
Fax: (86) 736-433 8333

Battery Cell Model: IFR16340A45

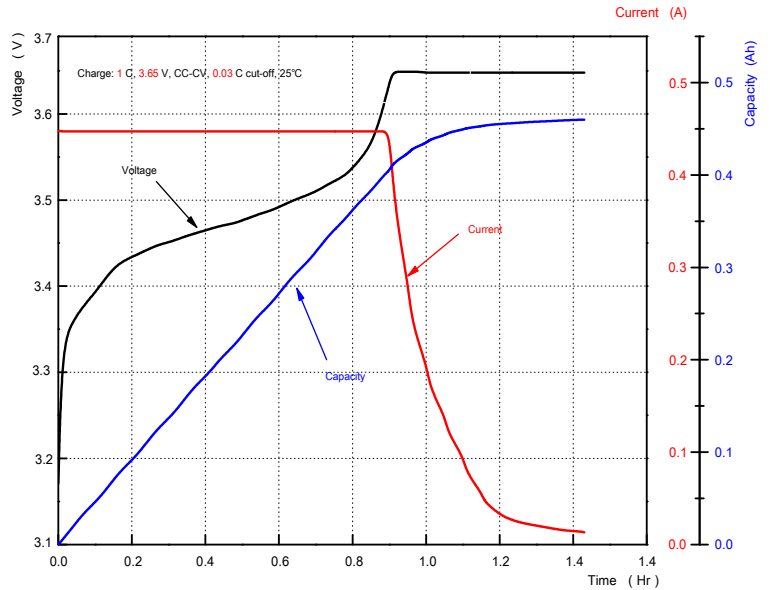
### 1. Specifications

1.1	Nominal Capacity	450 mAh
1.2	Minimum Capacity	430 mAh
1.3	Nominal Voltage	3.2 V
1.4	Internal Impedance	≤ 100 mΩ
1.5	Energy	≤ 1.44 Wh
1.6	Standard Charging	90 mA
1.7	Quick Charging	450 mA (1 C)
1.8	Charging Voltage	3.65 V
1.9	Continuous Discharging	1.35 A
1.10	Discharge Cut-off Voltage	2.0 V
1.11	Battery Cell Weight	≤ 22 g

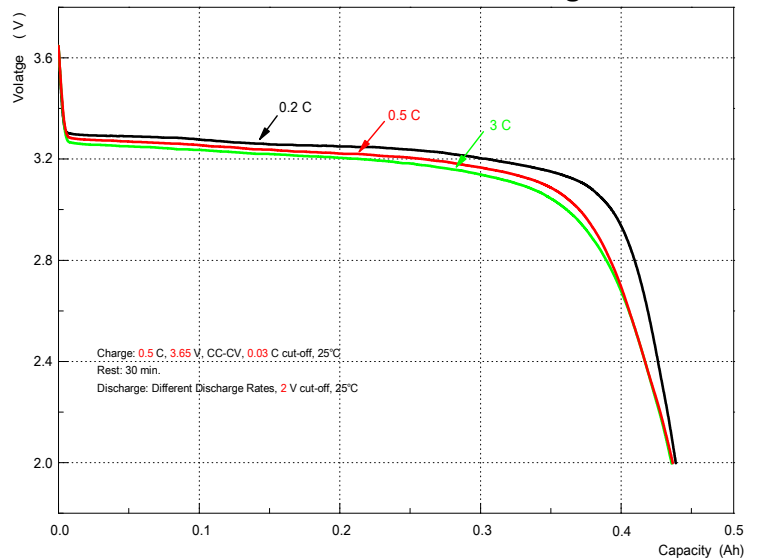
### 2. Product Drawing



### 3. Characteristics: Charging



### 4. Characteristics: Different Discharge Rates



### 5. Characteristics: Cycle Life

